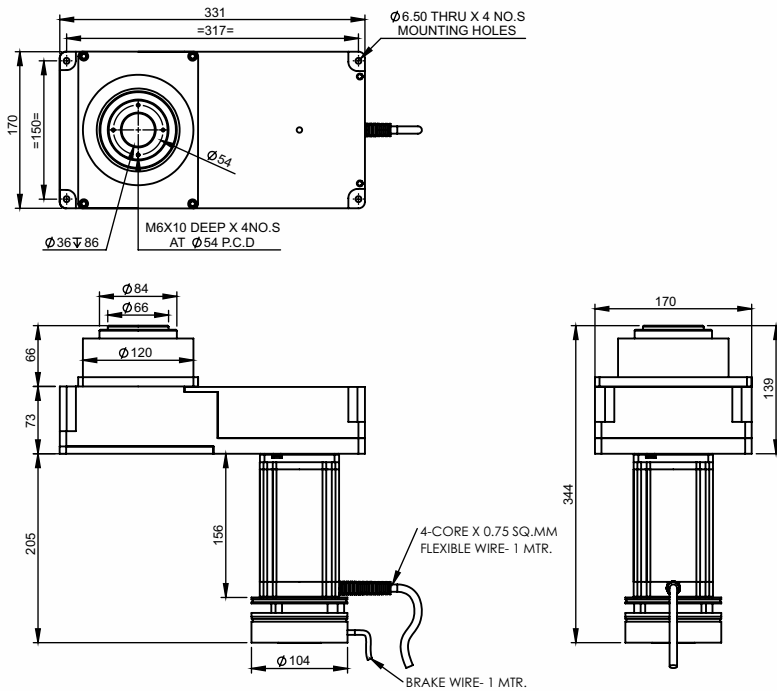


SPECIFICATION SHEET
Bholanath

Rotary Indexing System
BH-RIS-02-A(M)

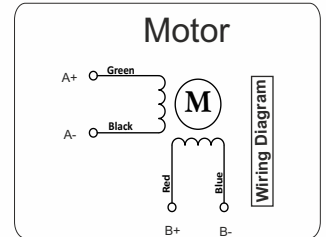


Stepper Motor Based Highly Accurate Rotary Indexing System Models- BH-RIS-02 -A Bholanath Rotary Indexing Systems are Used in all Automation Applications, Machine Tools and General Industry Applications Bholanath Manufacture Stepper Motor, Stepper Drives ,Power Supplies & Stepper Drive Controllers That Perfectly Compliment Rotary Indexing Systems.



BRAKE DETAILS :
Torque : 10 Nm
Voltage : 24 V
Current at 20°C - 0.85 Amps
Power Consumption at 20°C : 21.1 Watts

White \ominus +
Black \ominus -
24VDC

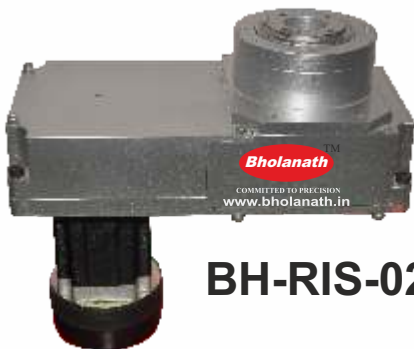


Indexing Degree :- $0.6^\circ, .3^\circ, .30^\circ, 45^\circ, 60^\circ, 90^\circ \dots 180^\circ \dots 360^\circ \dots$
{ $n(3)/1.8$ } where n is Indexing degree.

Example:- $n=270^\circ$
 $= (270 \times 3) / 1.8$
 $= 450$ (Hence 270° indexing is possible)

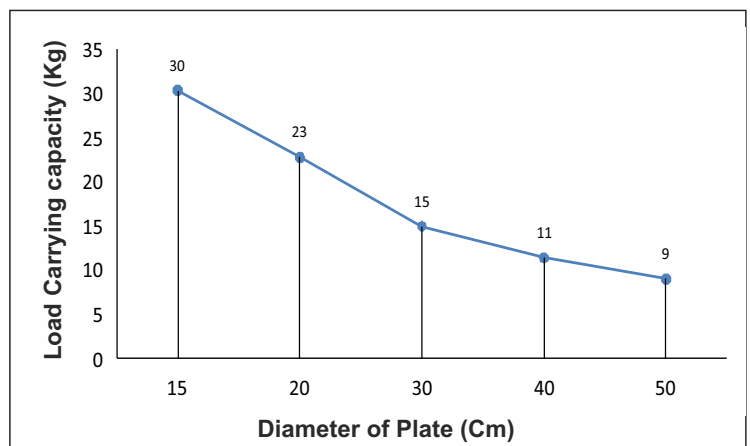
Note:- Continuous Movement up to 100RPM.

TECHNICAL DATA



BH-RIS-02-A

SPECIFICATION Model No		BH-RIS-02-A(M)
1	Maximum load carrying capacity(kg)	30
2	Output RPM	0 to 100
3	Gear Ratio of Indexing Table	3:1
4	Positioning Accuracy	± 1 degree
5	Degree Of protection	IP 40
6	Total Weight Of Rotary Indexing (KG)	16.5



Model No:- BH-RIS-02-A(M)



Bholanath Precision Engineering Pvt.Ltd.

11, Kembros Ind.Estate , Sonapur Lane , Bhandup (W), Mumbai - 400078.

Telefax/Phone : 25662856/25664338/67993260 Email : support@bholanath.in

Mobile No : 9920903825/9821671733/9930514603/9819515543/9323166582.